



Less maintenance, more performance

START Downlight IP44



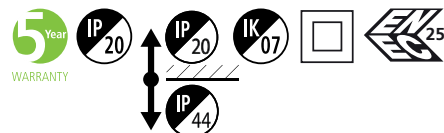
The START Downlight IP44 range is designed as an ideal replacement for CFL luminaires ranging from 90mm to 225mm cut-outs. With an IP44 rating from the front of the fixture, the range is perfect for applications such as corridors, bathrooms, receptions and back of house areas.

The START Downlight delivers impressive performance with efficacy up to 113lm/W (90mm, 4000K version) and high lumen output of up to 2325lm (225mm, 4000K

version). With a 74,000 hour lifespan (L80B20) and 5 year warranty the START Downlight IP44 comes with the benefit of less maintenance. Additionally, the inclusion of a loop in - loop out facility and recess depth of less than 65mm provides a simple yet effective solution.

The START Downlight is available in recessed and surface mounted versions to meet all installation requirements.

START Downlight IP44



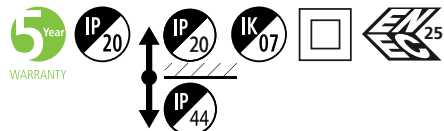
Features

- A range of LED downlights perfect for corridors, bathrooms, receptions and back of house areas
- High efficacy of up to 113lm/W
- High lumen packages of up to 2325lm for 225mm cut-outs
- IP44 rating allows for installation in applicable wet zone areas (Surface Mounted version IP20)
- Push dim DALI, 1-10V and phase dim options available
- Incorporated with innovative SylSmart lighting control technology - SylSmart Standalone - fully wireless, easy to install and program solution for meeting rooms, small offices and classrooms
- Shallow recess depth of < 65mm
- Surface Mounted height of 94mm
- 3 hour emergency pack available
- CRI80 and CRI90 options
- Loop in - loop out facility with push fit terminal block for quick wiring
- White bezel (RAL9003)
- 3000K Warm White and 4000K Neutral White options
- MacAdam Ellipse: 3
- Voltage: 220-240V
- Housing colour/bezel: White - RAL9003
- Construction material: Aluminium
- Photobiological Risk Group: 0
- Lifespan 74,000Hrs (L80B20)

Product information

| Code | Description | Finish | Fixture Power (W) | Fixture lumen (lm) | Luminaire efficacy lm/W | Nominal Beam Angle (°) | Correlated Colour Temperature (K) | CRI | Dimmable | Control Technology Type |
|-------------------------------------|---|--------|-------------------|--------------------|-------------------------|------------------------|-----------------------------------|-----|----------|-------------------------|
| Phase dimmable | | | | | | | | | | |
| 0030379 | START Downlight 90 IP44 830Lm 830 DIM | White | 7.8 | 830 | 106 | 74 | 3000 | 80 | Yes | Phase dim |
| 0030380 | START Downlight 90 IP44 880Lm 840 DIM | White | 7.8 | 880 | 113 | 74 | 4000 | 80 | Yes | Phase dim |
| Non-dimmable | | | | | | | | | | |
| 0030324 | START Downlight 150 IP44 1100Lm 830 | White | 12 | 1100 | 92 | 74 | 3000 | 80 | No | Switched |
| 0030325 | START Downlight 150 IP44 1175Lm 840 | White | 12 | 1175 | 98 | 74 | 4000 | 80 | No | Switched |
| 0030326 | START Downlight 175 IP44 1425Lm 830 | White | 15 | 1425 | 95 | 74 | 3000 | 80 | No | Switched |
| 0030327 | START Downlight 175 IP44 1525Lm 840 | White | 15 | 1525 | 102 | 74 | 4000 | 80 | No | Switched |
| 0030328 | START Downlight 205 IP44 1950Lm 830 | White | 20 | 1950 | 98 | 74 | 3000 | 80 | No | Switched |
| 0030329 | START Downlight 205 IP44 2025Lm 840 | White | 20 | 2025 | 101 | 74 | 4000 | 80 | No | Switched |
| 0030330 | START Downlight 225 IP44 2275Lm 830 | White | 23 | 2275 | 99 | 74 | 3000 | 80 | No | Switched |
| 0030331 | START Downlight 225 IP44 2325Lm 840 | White | 23 | 2325 | 101 | 74 | 4000 | 80 | No | Switched |
| 0030433 | START Downlight 150 IP44 1075Lm 940 | White | 13 | 1075 | 83 | 80 | 4000 | 90 | No | Switched |
| 0030435 | START Downlight 205 IP44 1750Lm 940 | White | 20 | 1750 | 88 | 80 | 4000 | 90 | No | Switched |
| DALI dimmable | | | | | | | | | | |
| 0030332 | START Downlight 150 IP44 DALI 1150Lm 830 | White | 12 | 1150 | 96 | 74 | 3000 | 80 | Yes | DALI |
| 0030333 | START Downlight 150 IP44 DALI 1160Lm 840 | White | 12 | 1160 | 97 | 74 | 4000 | 80 | Yes | DALI |
| 0030334 | START Downlight 175 IP44 DALI 1400Lm 830 | White | 15 | 1400 | 93 | 74 | 3000 | 80 | Yes | DALI |
| 0030335 | START Downlight 175 IP44 DALI 1475Lm 840 | White | 15 | 1475 | 98 | 74 | 4000 | 80 | Yes | DALI |
| 0030336 | START Downlight 205 IP44 DALI 1950Lm 830 | White | 20 | 1950 | 98 | 74 | 3000 | 80 | Yes | DALI |
| 0030337 | START Downlight 205 IP44 DALI 2000Lm 840 | White | 20 | 2000 | 100 | 74 | 4000 | 80 | Yes | DALI |
| 0030338 | START Downlight 225 IP44 DALI 2325Lm 830 | White | 23 | 2325 | 101 | 74 | 3000 | 80 | Yes | DALI |
| 0030339 | START Downlight 225 IP44 DALI 2350Lm 840 | White | 23 | 2350 | 102 | 74 | 4000 | 80 | Yes | DALI |
| 1-10V dimmable | | | | | | | | | | |
| 0030340 | START Downlight 150 IP44 1-10V 1150Lm 830 | White | 12 | 1150 | 96 | 74 | 3000 | 80 | Yes | 1-10V |
| 0030341 | START Downlight 150 IP44 1-10V 1175Lm 840 | White | 12 | 1175 | 98 | 74 | 4000 | 80 | Yes | 1-10V |
| 0030342 | START Downlight 175 IP44 1-10V 1400Lm 830 | White | 15 | 1400 | 93 | 74 | 3000 | 80 | Yes | 1-10V |
| 0030343 | START Downlight 175 IP44 1-10V 1425Lm 840 | White | 15 | 1425 | 95 | 74 | 4000 | 80 | Yes | 1-10V |
| 0030344 | START Downlight 205 IP44 1-10V 1950Lm 830 | White | 20 | 1950 | 98 | 74 | 3000 | 80 | Yes | 1-10V |
| 0030345 | START Downlight 205 IP44 1-10V 1975Lm 840 | White | 20 | 1975 | 99 | 74 | 4000 | 80 | Yes | 1-10V |
| 0030346 | START Downlight 225 IP44 1-10V 2325Lm 830 | White | 23 | 2325 | 101 | 74 | 3000 | 80 | Yes | 1-10V |
| 0030347 | START Downlight 225 IP44 1-10V 2350Lm 840 | White | 23 | 2350 | 102 | 74 | 4000 | 80 | Yes | 1-10V |
| Sylsmart | | | | | | | | | | |
| 0030375 | START Downlight 205 IP44 SSC01 1950LM 830 | White | 20 | 1950 | 98 | 74 | 3000 | 80 | Yes | Sylsmart |
| 0030376 | START Downlight 205 IP44 SSC01 2025LM 840 | White | 20 | 2025 | 101 | 74 | 4000 | 80 | Yes | Sylsmart |
| Surface mounted Non-dimmable | | | | | | | | | | |
| 0030445 | START Downlight 165 1175lm 840 Surface | White | 12 | 1175 | 98 | 74 | 4000 | 80 | No | Switched |
| 0030447 | START Downlight 220 2025lm 840 Surface | White | 20 | 2025 | 101 | 74 | 4000 | 80 | No | Switched |

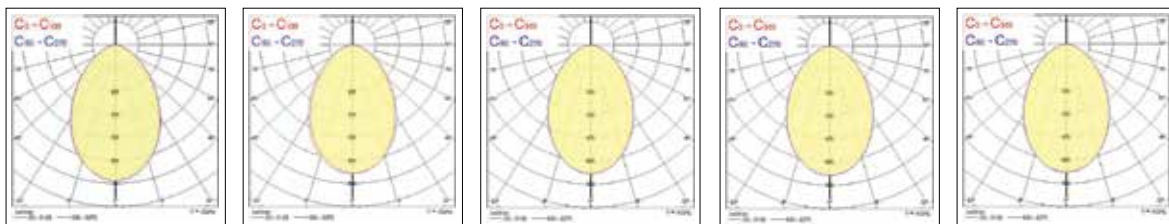
START Downlight IP44



Accessories

| Code | Description |
|---------|---|
| 0046600 | Emergency Pack Manual Testing 6V-55V |
| 0046601 | Emergency Pack Self Test/DALI monitoring 6V-55V |
| 3007950 | Recess Box Large (545x300x150) |
| 3007940 | Recess Box Small (300x300x150) |

Photometric Data



START Downlight 90 IP44
830lm 830 DIM

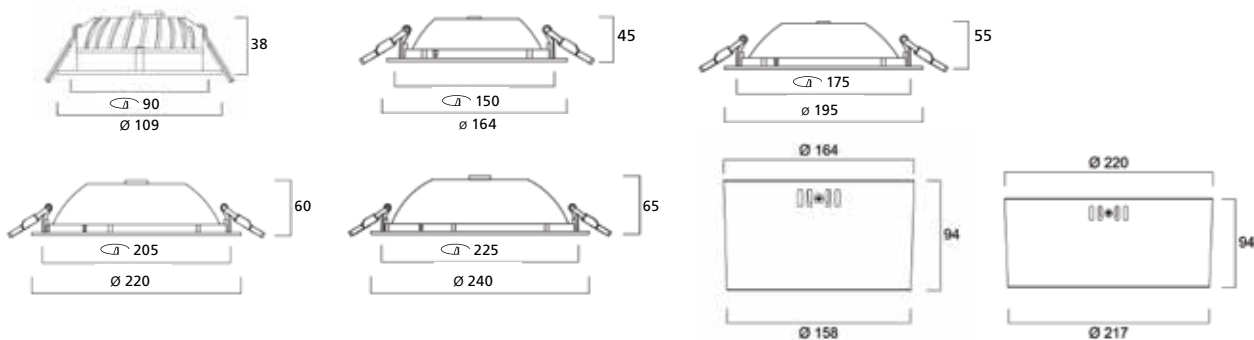
START Downlight 150
IP44 1100lm 830

START Downlight 175
IP44 1425lm 830

START Downlight 205 IP44
1950lm 830

START Downlight 225
IP44 2275lm 830

Dimensions (mm)



Additional Images



START Downlight 90 IP44
DIM Front

START Downlight IP44 Front
& Side

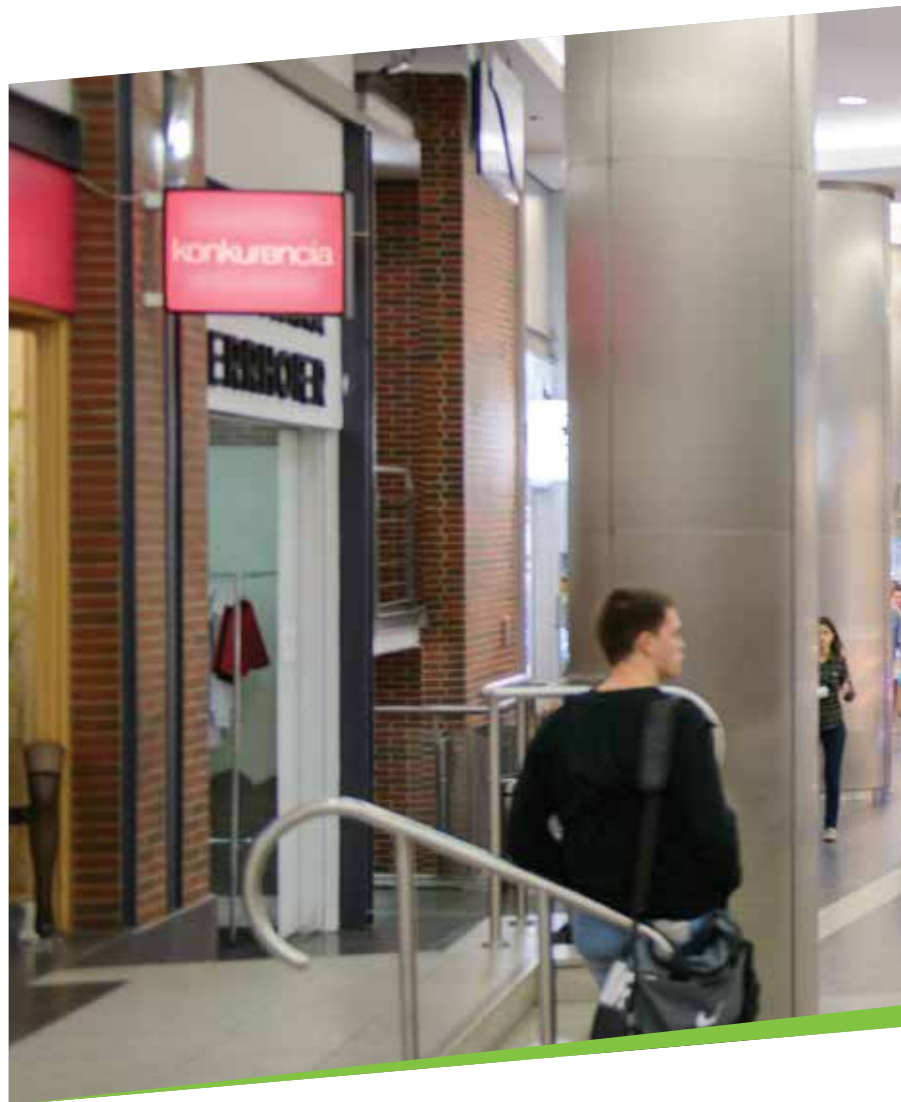
START Downlight IP44 Front

START Downlight IP44

START Downlight 165 Surface

START Downlight 220 Surface

SYLVANIA



CE UK
CA

in    

Although every effort has been made to ensure accuracy in the compilation of the technical detail within this publication, specifications and performance data are constantly changing. Current details should therefore be checked with Feilo Sylvania International Group Kft.

Copyright Feilo Sylvania International Group Kft. September 2022

sylvania-lighting.com

A Feilo Sylvania Company